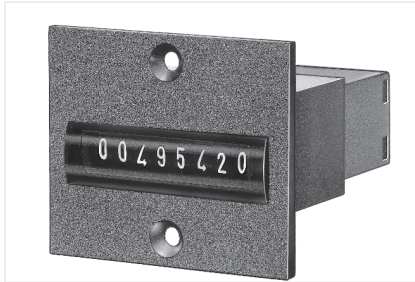


Type 495



TECHNICAL DATA

Pneumatic Totalizing Counter

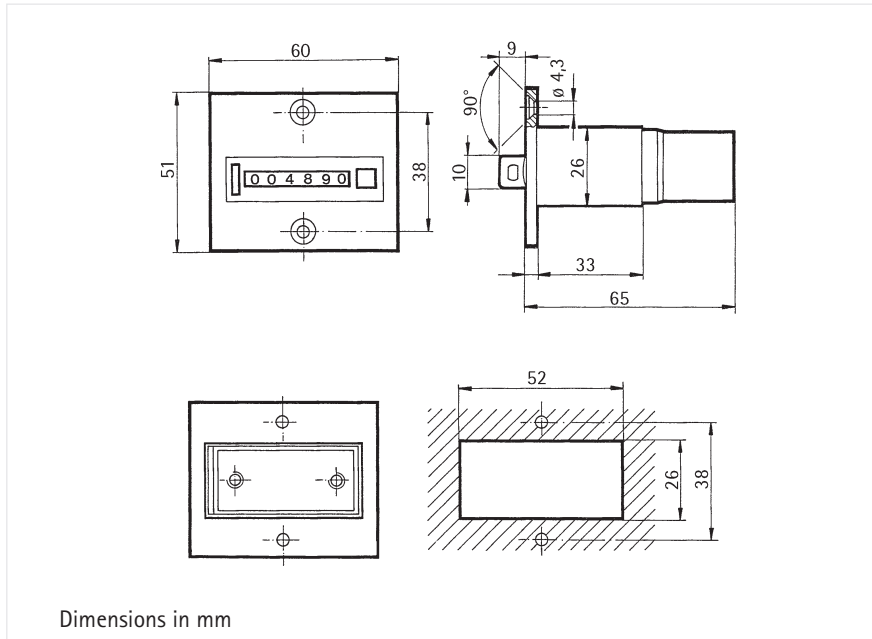
- 6 or 8-digit display
- Manual/pneumatic reset or without reset
- Simple installation
- Screw connection hose coupler or rapid-fit connector
- Maintenance-free operation

Display	6 or 8-digit, depending on version
Digit height	4 mm
Service pressure	2 ... 8 bar
Air quality	oilfree
Filter pore width	< 40 µm
Operating temperature	- 15 ... + 60 °C
Storage temperature	- 40 ... + 60 °C
Connection	hose coupler M5 or rapid-fit connector, depending on version
Mounting position	any
Vibro-stability	50 m/s ² acc. to IEC 068 2-6
Shock stability	400 m/s ² acc. to IEC 068 2-27
Maintenance-free operation	counting 30 x 10 ⁶ pulses, reset 1.5 x 10 ⁶ pulses
Weight	approx. 60 g
Count input	adding
Pulse length min..	8 ms
Counting frequency max.	25 Hz
Pulse duty factor	see glossary "counting frequency"
Reset	depending on version
	6-digit counter
	- manual with button
	- pneumatic, min. pulse length 180 ms
	ATTENTION: minimum time period between last count pulse and pneumatic reset is 50 ms
	8-digit counter
	- without reset

Technical data

Type 495

DIMENSIONED DRAWINGS



ORDER INFORMATION

Counter

Connection	Frontpanel	6-digit	8-digit
Hose coupler M5	56 x 40	0 495 474	0 495 420
Rapid-fit connector	56 x 40	0 495 473	
Hose coupler M5	60 x 50	0 495 464	
Rapid-fit connector	60 x 50	0 495 465	0 495 422

Accessories

Protective cover IP 55		with knob	1 405 611
		with lock	1 405 612
Fittings for hose M5 x 1		3 641 733	

* on request

Type 495



TECHNICAL DATA

Pneumatic Totalizing Counter for Surface Mounting

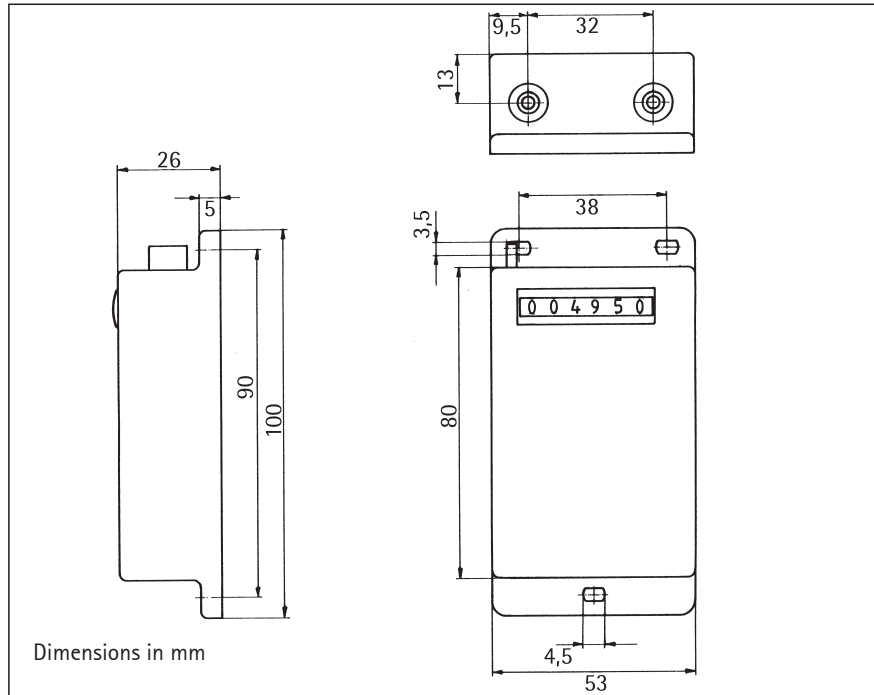
- 6-digit display
- Manual/pneumatic reset or without reset
- Simple installation
- Screw connection hose coupler or rapid-fit connector
- Maintenance-free operation

Display	6-digit
Digit height	4 mm
Service pressure	2 . . . 8 bar
Air quality	oilfree
Filter pore width	< 40 µm
Operating temperature	- 15 . . . + 60 °C
Storage temperature	- 40 . . . + 60 °C
Connection	hose coupler M5 or rapid-fit connector, depending on version
Mounting position	any
Vibrostability	50 m/s ² acc. to IEC 068 2-6
Shock stability	400 m/s ² acc. to IEC 068 2-27
Maintenance-free operation	counting 30 x 10 ⁶ pulses, reset 1.5 x 10 ⁶ pulses
Weight	approx. 60 g
Count input	adding
Pulse length min.	8 ms
Counting frequency max.	25 Hz
Pulse duty factor	see glossary "counting frequency"
Reset	depending on version - manual with button - pneumatic, min. pulse length 180 ms ATTENTION: minimum time period between last count pulse and pneumatic reset is 50 ms - without reset

Technical data

Type 495

DIMENSIONED DRAWING



ORDER INFORMATION

Counter

Accessories

Connection

Hose coupler M5	0 495 462
Rapid-fit connector	0 495 461
Fittings for hose M5 x 1	3 641 733