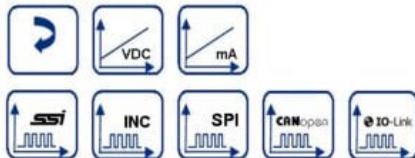
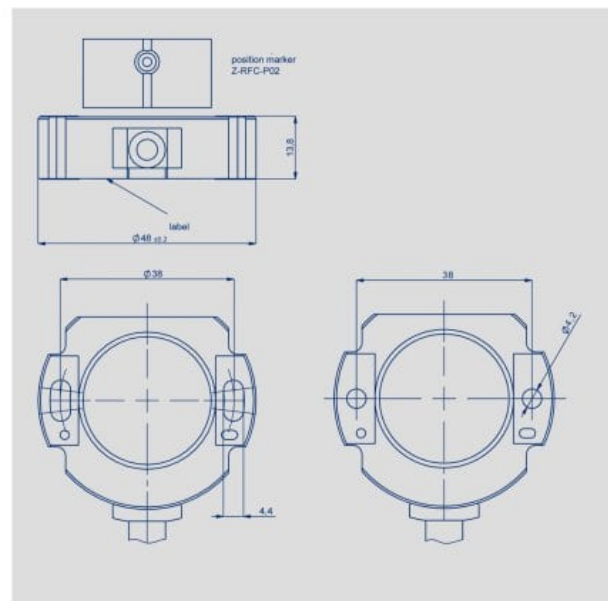


NOVOHALL
Rotary Sensor
touchless technology

Series RFC-4800


Special features

- Touchless hall technology
- Electrical range up to 360°
- 2-part, mechanically decoupled
- High protection class, IP67, IP69
- Resolution up to 14 bit
- Wear-free
- Temperature range -40 °C to +105 °C
- Single and multi-channel versions
- Optimized for use in industrial and mobile applications with highest EMC requirements such as ISO pulses and high interferences to ISO 11452 and ECE-Standard
- Suitable for safety-relevant applications according to DIN EN ISO 13849
- Interfaces:
 - Voltage, current, SSI, incremental, CANopen, SPI, IO-Link
- Customized versions

The two-part design consisting of sensor and magnetic position marker offers great flexibility when mounting. The absence of shaft and bearing makes the assembly much less sensitive to axial and radial application tolerances - separate couplings are obsolete.

Measurements can be made transmissively through any non-ferromagnetic material.

The sensor is perfectly suitable for use in harsh environmental conditions through the completely encapsulated electronics.

Applications

- Manufacturing Engineering
 - Textile machinery
 - Packaging machinery
 - Sheet metal and wire machinery
- Automation technology
- Medical engineering
- Mobile working machines
 - Industrial trucks
 - Construction machinery
 - Agricultural and forestry machinery
- Marine applications