

NOVOHALL
Rotary Sensor
touchless
transmissive

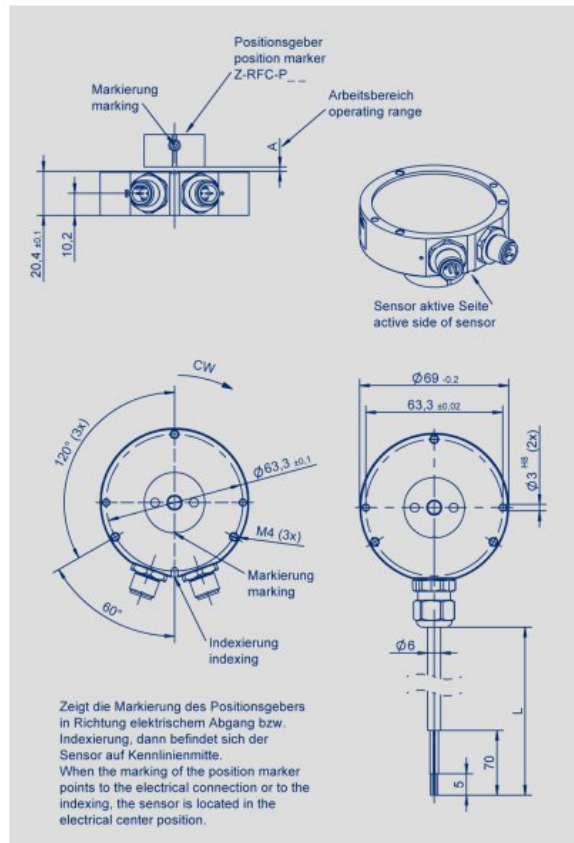
Series RFX-6900

**Special features**

- Very robust design to extreme environmental conditions
- Touchless hall technology
- Electrical range up to 360°, in single and multi-channel version
- 2-part, mechanically decoupled
- Enhanced corrosion protection by anodized aluminum housing, salt spray resistant
- Very good linearity
- Resolution 12 bit
- Absolutely impermeable to splash-water IP6K9K
- High temperature resistance
- Suitable for use in safety-related applications according to ISO 13849
- For highest EMC requirements such as ISO pulses and interference fields according to ISO 11452 and ECE directive
- Customized versions

Applications

- Position measurement in steering systems
- Pivotal vehicle bracings
- Transport systems with several axes
- Construction and agricultural machinery

**Description**

Housing	Anodized aluminum, salt spray resistant
Electrical connections	Cable 4 x 0.5 mm ² , AWG 20, TPE, unshielded or connector M12x1, 4-pole